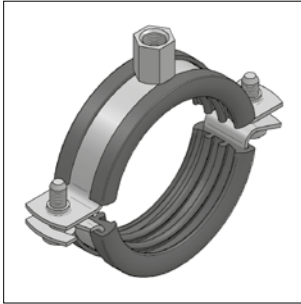
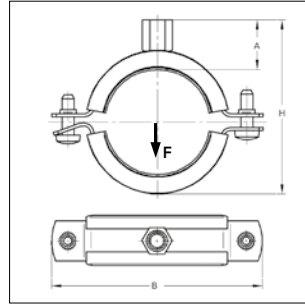


Trabant beugel RVS met inlage



Trabant beugel RVS



Uitvoering/montage:

Sluiting: Haaksluiting
 Uitvoering: Tweedelig
 Buiten-Ø pijp: 12 tot 168 mm
 Aansluiting: M8/M10, M10/M12
 Geluiddemping: Volgens DIN 4109

Technische gegevens:

Materiaal: RVS
 Materiaalsoort: A4
 Inlage: Rubber TPE
 Temperatuurbestendigheid: - 35 °C tot + 100 °C
 Dikte: 4,5 mm

Aansluiting: M8/10

A4

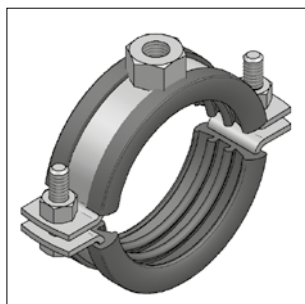
| Bereik | | Material | Sluitschroef | Max.toel.bel. F | H (min-max) | A | B | Gewicht | VPE | Artikelnr. |
|---------|-------|----------|--------------|--------------------|----------------|------|------|---------|------|------------|
| [mm] | ["] | [mm] | | [kN] | [mm] | [mm] | [mm] | [kg/st] | [st] | |
| 12 - 15 | | 20x1,0 | M6 | 0,40 | 40-43 | 22 | 59 | 0,051 | 100 | M051003015 |
| 16 - 20 | 3/8 | 20x1,0 | M6 | 0,40 | 43-48 | 22 | 64 | 0,054 | 100 | M051003020 |
| 21 - 25 | 1/2 | 20x1,0 | M6 | 0,40 | 48-53 | 22 | 69 | 0,059 | 100 | M051003025 |
| 26 - 30 | 3/4 | 20x1,0 | M6 | 0,40 | 53-58 | 22 | 74 | 0,063 | 100 | M051003030 |
| 32 - 37 | 1 | 20x1,0 | M6 | 0,40 | 60-65 | 22 | 81 | 0,068 | 100 | M051003037 |
| 42 - 46 | 1 1/4 | 20x1,5 | M6 | 0,60 | 71-75 | 22,5 | 92 | 0,096 | 50 | M051003046 |
| 48 - 52 | 1 1/2 | 20x1,5 | M6 | 0,60 | 76-81 | 22,5 | 98 | 0,103 | 50 | M051003052 |
| 54 - 58 | | 20x1,5 | M6 | 0,60 | 82-87 | 22,5 | 104 | 0,110 | 50 | M051003058 |
| 60 - 65 | 2 | 20x1,5 | M6 | 0,60 | 88-94 | 22,5 | 111 | 0,117 | 50 | M051003065 |
| 70 - 76 | | 25x1,5 | M6 | 0,70 | 99-105 | 22,5 | 121 | 0,151 | 50 | M051003076 |
| 85 - 90 | 3 | 25x2,0 | M6 | 1,00 | 116-121 | 23,5 | 138 | 0,206 | 50 | M051003090 |

Aansluiting: M10/M12

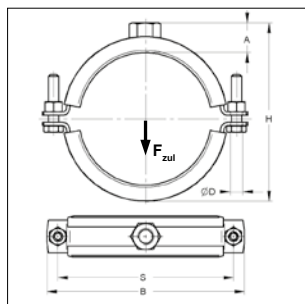
A4

| | | | | | | | | | | |
|-----------|---|--------|----|------|---------|----|-----|-------|----|------------|
| 98 - 102 | | 25x2,5 | M6 | 2,50 | 132-136 | 27 | 154 | 0,264 | 50 | M051003102 |
| 108 - 114 | 4 | 25x2,5 | M6 | 2,50 | 142-148 | 27 | 166 | 0,289 | 50 | M051003114 |
| 132 - 136 | | 25x2,5 | M6 | 2,50 | 168-172 | 27 | 188 | 0,347 | 25 | M051003136 |
| 137 - 141 | 5 | 25x2,5 | M6 | 2,50 | 173-177 | 27 | 193 | 0,356 | 25 | M051003141 |
| 159 - 163 | | 25x2,5 | M6 | 2,50 | 195-199 | 27 | 215 | 0,401 | 25 | M051003163 |
| 164 - 168 | 6 | 25x2,5 | M6 | 2,50 | 200-204 | 27 | 220 | 0,416 | 25 | M051003168 |

RVS beugel met inlage



RVS beugel

**Levertijd:**

5 werkdagen, af fabriek

Andere maatvoeringen op aanvraag leverbaar**Uitvoering/montage:**

Sluiting: Schroefsluiting
 Uitvoering: Tweedelig
 Buiten-Ø pijp: 15 tot 410 mm
 Aansluiting: M8, M10, M12, M16, zonder aansluiting
 Geluiddemping: volgens DIN 4109

Technische gegevens:

Materiaal: RVS
 Materiaalsoort: A2, A4
 Inlage: Rubber TPE
 Temperatuurbestendigheid: - 35 °C tot + 100 °C
 Dikte inlaag:
 Beugel tot Ø 45 mm: 3,5 mm
 Beugel vanaf Ø 47 mm: 6,0 mm

Aansluiting: M8

| Afmeting [mm] | Afmeting ["] | Materiaal [mm] | Sluit- schroef | Max.toel.bel. F [kN] | H [mm] | A [mm] | B [mm] | S [mm] | D [mm] | Gewicht [kg/st] | VPE [st] | A2 | A4 |
|------------------|-----------------|-------------------|-------------------|----------------------------|-----------|-----------|-----------|-----------|-----------|--------------------|-------------|------------|------------|
| | | | | | | | | | | | | Artikelnr. | Artikelnr. |
| 15 - 20 | ¾ | 20x1,5 | M6 | 0,75 | 31-35 | 11 | 56 | 43 | 6,5 | 0,060 | 50 | M0468174 | M0498174 |
| 21 - 25 | ½ | 20x1,5 | M6 | 0,75 | 36-40 | 11 | 61 | 48 | 6,5 | 0,064 | 50 | M0468175 | M0498175 |
| 26 - 30 | ¾ | 20x1,5 | M6 | 0,75 | 41-45 | 11 | 66 | 53 | 6,5 | 0,069 | 50 | M0468176 | M0498176 |
| 31 - 34 | 1 | 20x1,5 | M6 | 0,75 | 46-50 | 11 | 72 | 59 | 6,5 | 0,072 | 50 | M0468177 | M0498177 |
| 35 - 40 | | 20x1,5 | M6 | 0,75 | 51-56 | 11 | 78 | 65 | 6,5 | 0,077 | 50 | M0468178 | M0498178 |
| 41 - 45 | 1¼ | 20x1,5 | M6 | 0,75 | 58-65 | 11 | 86 | 73 | 6,5 | 0,084 | 50 | M0468179 | M0498179 |

Aansluiting: M10

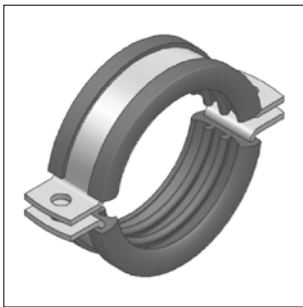
| Afmeting [mm] | Afmeting ["] | Materiaal [mm] | Sluit- schroef | Max.toel.bel. F [kN] | H [mm] | A [mm] | B [mm] | S [mm] | D [mm] | Gewicht [kg/st] | VPE [st] | A2 | A4 |
|------------------|-----------------|-------------------|-------------------|----------------------------|-----------|-----------|-----------|-----------|-----------|--------------------|-------------|------------|------------|
| | | | | | | | | | | | | Artikelnr. | Artikelnr. |
| 47 - 52 | 1½ | 20x2 | M6 | 0,95 | 69-74 | 16 | 96 | 82 | 6,5 | 0,126 | 50 | M0468210 | M0498210 |
| 53 - 57 | | 20x2 | M6 | 0,95 | 75-79 | 16 | 101 | 88 | 6,5 | 0,134 | 50 | M0468211 | M0498211 |
| 58 - 64 | 2 | 20x2 | M6 | 0,95 | 80-86 | 16 | 108 | 94 | 6,5 | 0,144 | 50 | M0468212 | M0498212 |
| 65 - 70 | | 20x2 | M6 | 0,95 | 87-92 | 16 | 114 | 101 | 6,5 | 0,152 | 50 | M0468213 | M0498213 |
| 72 - 80 | 2½ | 20x2 | M6 | 0,95 | 94-102 | 16 | 123 | 110 | 6,5 | 0,162 | 50 | M0468214 | M0498214 |
| 82 - 90 | 3 | 20x2 | M6 | 0,95 | 104-112 | 16 | 134 | 120 | 6,5 | 0,175 | 50 | M0468215 | M0498215 |
| 93 - 100 | | 20x2 | M6 | 0,95 | 115-122 | 16 | 144 | 130 | 6,5 | 0,189 | 50 | M0468216 | M0498216 |
| 102 - 107 | | 20x2 | M6 | 0,95 | 124-129 | 16 | 152 | 138 | 6,5 | 0,199 | 50 | M0468217 | M0498217 |
| 108 - 116 | 4 | 20x2 | M6 | 0,95 | 130-138 | 16 | 160 | 147 | 6,5 | 0,210 | 50 | M0468218 | M0498218 |

Aansluiting: M12

| Afmeting [mm] | Afmeting ["] | Materiaal [mm] | Sluit- schroef | Max.toel.bel. F [kN] | H [mm] | A [mm] | B [mm] | S [mm] | D [mm] | Gewicht [kg/st] | VPE [st] | A2 | A4 |
|------------------|-----------------|-------------------|-------------------|----------------------------|-----------|-----------|-----------|-----------|-----------|--------------------|-------------|------------|------------|
| | | | | | | | | | | | | Artikelnr. | Artikelnr. |
| 102 - 107 | | 25x3 | M8 | 1,75 | 129-134 | 20 | 171 | 150 | 9 | 0,368 | 50 | M0460317 | M0490317 |
| 108 - 116 | 4 | 25x3 | M8 | 1,75 | 135-143 | 20 | 179 | 158 | 9 | 0,383 | 50 | M0460318 | M0490318 |
| 119 - 127 | | 25x3 | M8 | 1,75 | 146-154 | 20 | 190 | 169 | 9 | 0,408 | 50 | M0466319 | M0496319 |
| 128 - 132 | | 25x3 | M8 | 1,75 | 155-159 | 20 | 197 | 176 | 9 | 0,425 | 50 | M0466320 | M0496320 |
| 133 - 141 | 5 | 25x3 | M8 | 1,75 | 160-168 | 20 | 205 | 184 | 9 | 0,438 | 50 | M0466321 | M0496321 |
| 142 - 149 | | 25x3 | M8 | 1,75 | 169-176 | 20 | 213 | 192 | 9 | 0,459 | 50 | M0466322 | M0496322 |
| 150 - 158 | | 25x3 | M8 | 1,75 | 177-185 | 20 | 222 | 201 | 9 | 0,476 | 50 | M0466323 | M0496323 |
| 159 - 163 | | 25x3 | M8 | 1,75 | 186-190 | 20 | 228 | 207 | 9 | 0,499 | 50 | M0466324 | M0496324 |
| 164 - 168 | 6 | 25x3 | M8 | 1,75 | 191-195 | 20 | 233 | 212 | 9 | 0,504 | 50 | M04663242 | M0496325 |

RVS beugel met inlage

| Aansluiting: M16 | | | | | | | | | | | | A2 | A4 |
|------------------|-----|-------------------|-------------------|----------------------------|-----------|-----------|-----------|-----------|-----------|--------------------|-------------|------------|------------|
| Afmeting [mm] | ["] | Materiaal [mm] | Sluit- schroef | Max.toel.bel. F [kN] | H [mm] | A [mm] | B [mm] | S [mm] | D [mm] | Gewicht [kg/st] | VPE [st] | Artikelnr. | Artikelnr. |
| 174 - 182 | | 35x4 | M10 | 4 | 204-212 | 24 | 265 | 236 | 11 | 1,015 | 1 | M0462426 | M0490426 |
| 192 - 200 | | 35x4 | M10 | 4 | 222-230 | 24 | 285 | 255 | 11 | 1,087 | 1 | M0462428 | M0490428 |
| 201 - 205 | | 35x4 | M10 | 4 | 231-235 | 24 | 290 | 261 | 11 | 1,123 | 1 | M0462429 | M0490429 |
| 206 - 214 | | 35x4 | M10 | 4 | 236-244 | 24 | 298 | 269 | 11 | 1,142 | 1 | M0462430 | M0490430 |
| 215 - 225 | 8 | 35x4 | M10 | 4 | 255-265 | 24 | 309 | 280 | 11 | 1,177 | 1 | M0462431 | M0490431 |
| 241 - 248 | | 35x4 | M10 | 4 | 281-288 | 24 | 332 | 303 | 11 | 1,289 | 1 | M0462434 | M0492434 |
| 250 - 257 | | 35x4 | M10 | 4 | 280-287 | 24 | 341 | 312 | 11 | 1,322 | 1 | M0462435 | M0492435 |
| 272 - 277 | 10 | 35x4 | M10 | 4 | 302-307 | 24 | 362 | 333 | 11 | 1,408 | 1 | M0462438 | M0492438 |



| Zonder aansluiting en sluitschroeven | | | | | | | | | | | | A2 | A4 |
|--------------------------------------|-----|-------------------|-------------------|----------------------------|-----------|-----------|-----------|-----------|-----------|--------------------|-------------|------------|------------|
| Afmeting [mm] | ["] | Materiaal [mm] | Sluit- schroef | Max.toel.bel. F [kN] | H [mm] | A [mm] | B [mm] | S [mm] | D [mm] | Gewicht [kg/st] | VPE [st] | Artikelnr. | Artikelnr. |
| 321 - 325 | 12 | 50x5 | - | 9 | 341-345 | - | 414 | 382 | 17 | 2,510 | 1 | M0464046 | M0494046 |
| 351 - 360 | 14 | 50x5 | - | 9 | 371-380 | - | 448 | 416 | 17 | 2,713 | 1 | M0464051 | M0494051 |
| 361 - 370 | | 50x5 | - | 9 | 389-390 | - | 458 | 426 | 17 | 2,797 | 1 | M0464052 | M0494052 |
| 401 - 410 | 16 | 50x5 | - | 9 | 421-430 | - | 498 | 466 | 17 | 3,051 | 1 | M0464056 | M0494056 |